

DG Slurry Pump

The DG pump is a highly efficient slurry pump that is designed to pump all kinds of slurry.

All DG-I pumps are equipped with a knife system at the inlet to the pump, which ensures problem-free operation under conditions where many other pumps have problems with clogging.

APPLICATION EXAMPLES

- Slurry pumping
- Back flushing
- Long distance pumping
- Chopping of solids with high viscosity



PUMP RPM

1,500 rpm – medium pressure

3,000 rpm – high pressure

MATERIAL OF CONSTRUCTION

Motor housing and oil chamber	Cast iron EN-GJL-250
Pump housing	Cast iron EN-GJL-250
Pump impeller	Cast iron EN-GJL-250 Cast iron EN-GJS-700-2 (optional)
Pump Shaft	W1.6582/AISI4340
Bolts	Stainless steel AISI316, A4
Sealing system	Mechanical shaft seal: silicon carbide/silicon carbide
Knife system	Hardened steel W1.0038
Extended knife system	Hardened steel W1.0038/S235JR (optional)
Oil type	15W-40

SERVICE AND MAINTAINANCE

Recommended service interval/oil change	Maximum 2,000 operating hours/minimum once a year
Motor	Lifetime lubricated bearings
Oil chamber	Periodic oil change

SURFACE TREATMENT

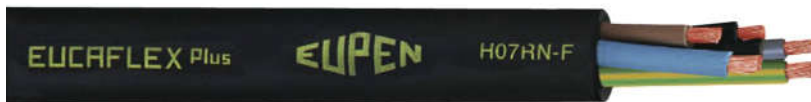
Machinery enamel: RAL 9005 (Jet Black)

Jet Black

ELECTRICAL CABLE

H07RN-F/S07RN-F EUCAFLEX^{Plus} Cable.

Resistant to oil and UV radiation.



Number of conductors:

H07RN-F 7G1.5 mm² (Not used in United Kingdom)

H07RN-F 7G2.5 mm² (Only United Kingdom. Motor ≤ 5,5 kW)

S07RN-F 7G4+3x1.5 mm²

As standard supplied with 7 m of cable (extra length available upon request).

MONITORING FUNCTIONS

Bimetallic thermal sensors 120 °C

ELECTRICAL DATA

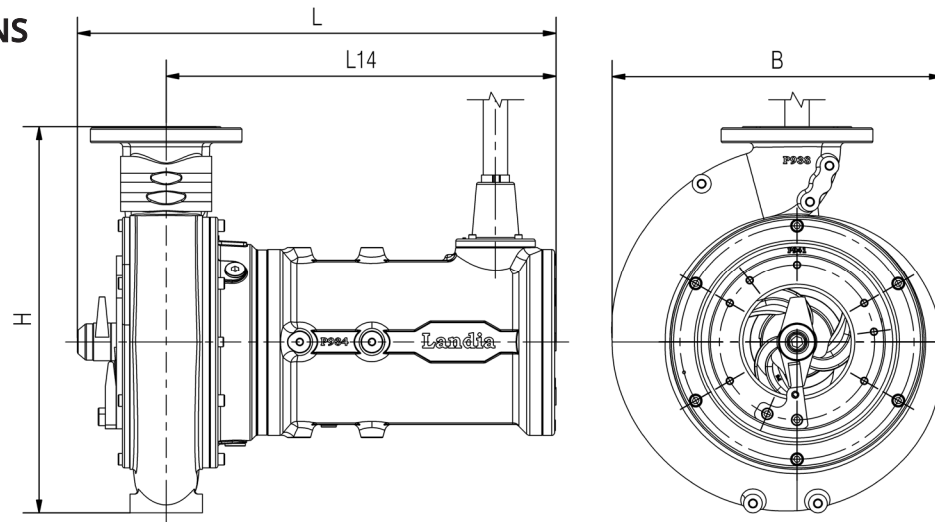
Motor type	3-phase AC motor
Nominal voltage	400 V
Minimum voltage allowed	360 V
Nominal frequency	50 Hz
Applicable for VFD operation	Yes
Ingress protection rating	IP 68
Insulation class	F

Model	Nominal power	Motor	Full load current (400 V)	Connection method	Start current (DOL)	cos phi	Efficiency
	[kW]	[rpm]	[A]	Y/Δ	[A]		[%]
Medium pressure							
DG 50 0.75 kW-1,500 rpm	0.75	1,400	2.1	Y	10	0.70	73.6
DG 65 2.2 kW-1,500 rpm	2.2	1,410	5.0	Y	30	0.80	80.2
DG 80 4.0 kW-1,500 rpm	4.0	1,435	8.8	Δ	61	0.78	84.1
DG 80 5.5 kW-1,500 rpm	5.5	1,440	11.0	Δ	68	0.87	84.6
DG 105 11.0 kW-1,500 rpm	11.0	1,455	21.5	Δ	146	0.84	87.9
DG 105 18.5 kW-1,500 rpm	18.5	1,460	35.0	Δ	238	0.85	89.3

For voltages others than 400 V/50 Hz please refer to the attached Appendix.



OVERALL DIMENSIONS



Model	B [mm]	H [mm]	L [mm]	L14 [mm]	Weight [kg]
Medium pressure					
DG 50 0.75 kW-1,500 rpm	250	300	365	290	25
DG 65 2.2 kW-1,500 rpm	320	380	450	366	55
DG 80 4.0 kW-1,500 rpm	370	440	550	445	85
DG 80 5.5 kW-1,500 rpm	370	545	580	480	100
DG 105 11.0 kW-1,500 rpm	460	545	665	540	160
DG 105 18.5 kW-1,500 rpm	460	545	710	585	210

We reserve the right to make technical changes.

